



## TOSA-LC 1.25Gbps 850nm

### Features:

Light Wavelength: 850nm

Bit Rate: 1.25Gbps

Low Threshold Current

LC Receptacle

### Applications:

Digital Optical Communication

### Specifications:

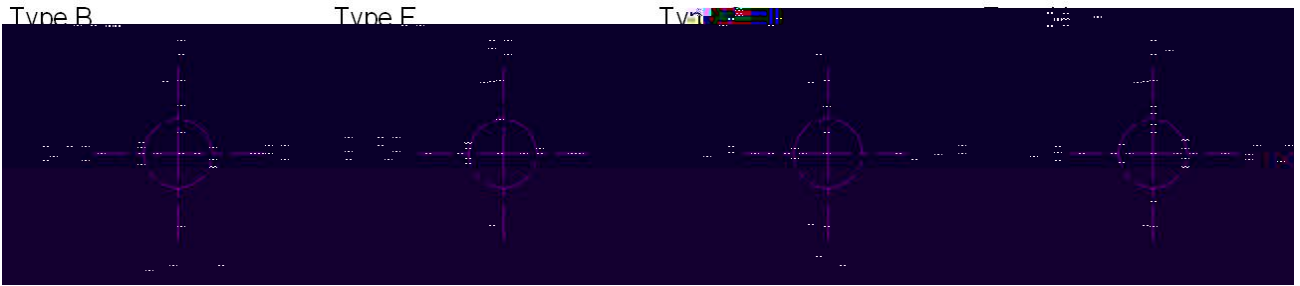
#### Absolute Maximum Ratings

Parameter	Symbol	Min	Max.	Unit
LD Reverse Voltage	$V_{r(LD)}$	--	8	V
LD Forward Current	$I_{f(LD)}$	--	12	mA
Operating Temperature	Top	-40	85	°C
Storage Temperature	Tstg	-40	100	°C
Lead Solder Temperature	--	--	260	°C
Lead Soldering Time	--	--	10	s

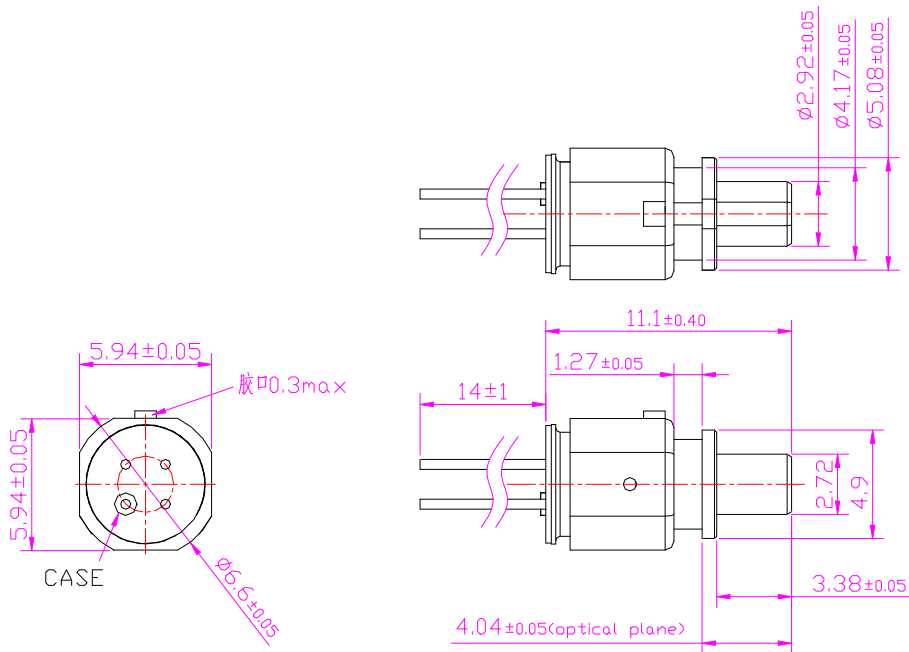
#### Characteristics(Tc=25°C, unless otherwise noted)

Parameter	Symbol	Test Condition	Min	Typ	Max	Unit
Threshold Current	Ith	--	--	1.0	2.5	mA
Forward Voltage	Vf	Iop = 6mA	--	1.9	2.15	V
Monitor Current(MPD)	Im	Iop = 6mA	100	--	--	uA
Dark Current(MPD)	Id	Vr=3.3V	--	--	10	nA
Optical Output Power	Po	Iop = 6mA	0.25	0.45	0.65	mW
Slope efficiency	SE	Iop = 6mA	0.05	--	0.13	mW/mA
Central Wavelength	$\lambda_c$	Iop = 6mA	830	850	860	nm
Spectral Width(RMS)	$\Delta\lambda$	Iop = 6mA	--	0.3	0.85	nm
Rise/Fall Time(20~80%)	Tr/Tf	--	--	--	250	ps

### Pin Assignment:



### Mechanical Dimension:



### Order Information:



SAN-U P/N: TOSA—LC—1.25Gbps—850nm—



Pin Assignment

B: Type B

F: Type F

G: Type G

H: Type H

**Statement:**

SAN-U owns the authority for final explanation of all information contained in this document, which is subject to change without notice. All the information was obtained in particular environments; and SAN-U will not be responsible for the performance of the customers' actual operating environments. All information contained is only for the users' reference and shall not be considered as warranted characteristics. SAN-U will not be liable for damages arising directly or indirectly which from any use of the information contained in this document.

**Contact Information:**

Address: N501-505 Weiye Bldg., Xiamen Pioneering Park For Overseas Chinese Scholars, Xiamen, Fujian, China

Tel: +86-592-3898601, 3898608, 5318000

Fax: +86-592-5703588

Email: sales@san-u.com

<http://www.san-u.com>