



ROSA-LC 25Gbps 850nm with Flex

Features:

°C °C

Applications:

Specifications:

Absolute Maximum Ratings

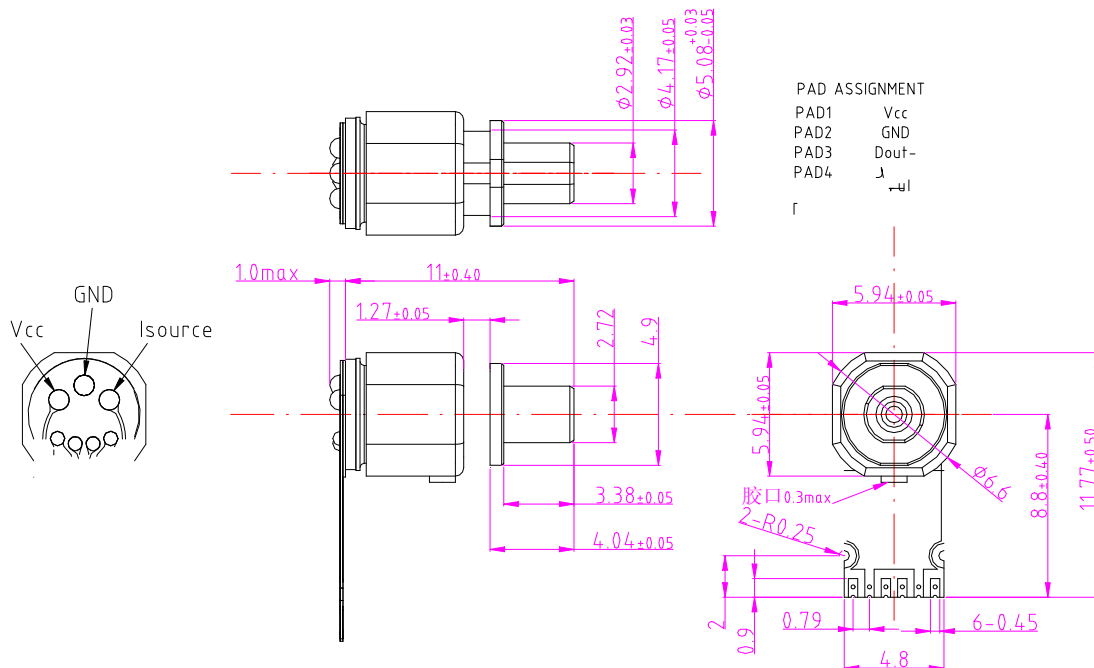
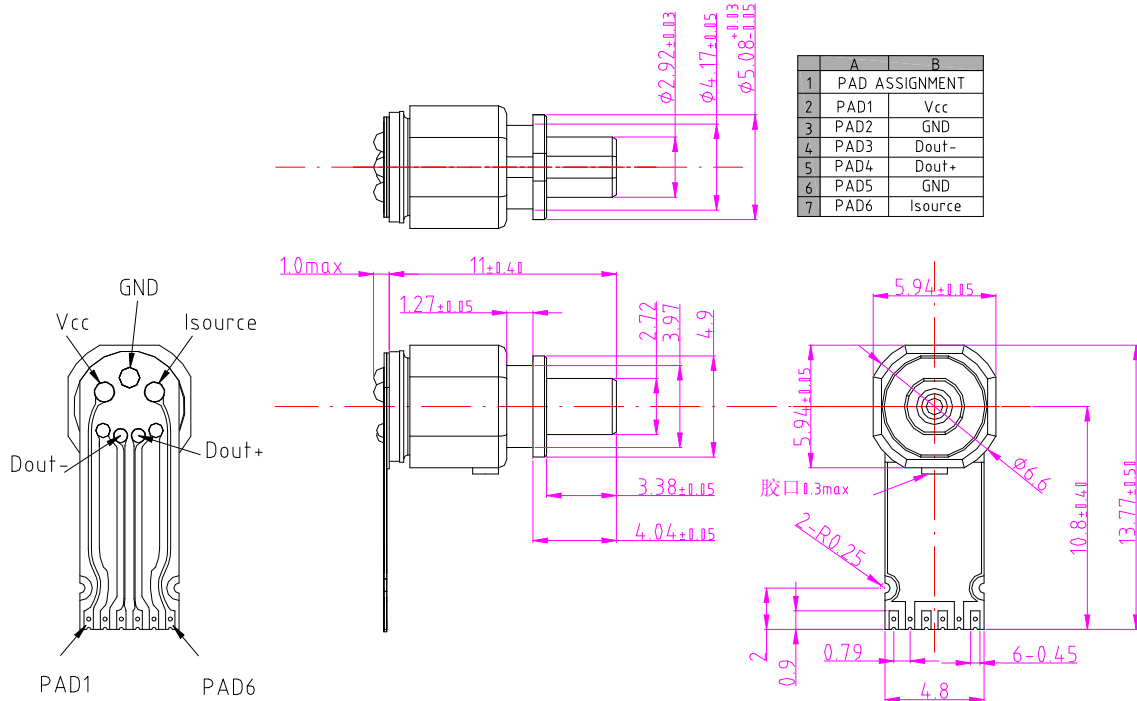
Parameter	Symbol	Min	Max.	Unit
				°C
				°C
				°C

Specifications (T=25°C, unless otherwise noted)

Parameter	Symbol	Test Conditions	Min.	Typ.	Max.	Unit



Mechanical Dimension and Pin Assignment:

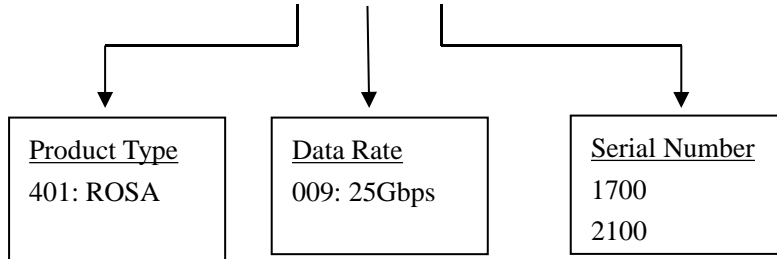




Order Information:

SAN-U P/N:

401 009 XX00



Statement:

Contact Information: